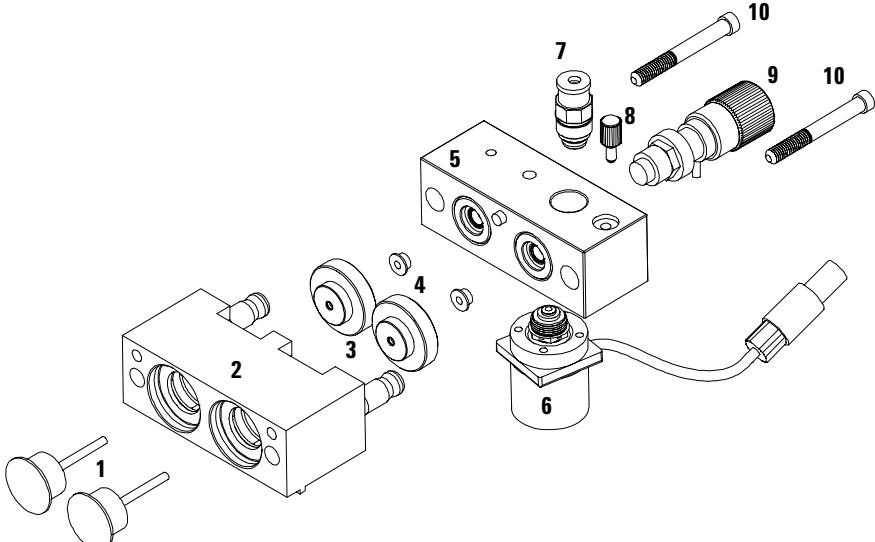


## Pump Head Assembly

**Table 20** Pump Head Assembly

Item	Description	Part Number
	Complete assembly, including items marked with *	G1311-60004
1*	Sapphire plunger	5063-6586
2*	Plunger housing (including spring)	G1311-60002
3*	Support ring	5001-3739
4*	Seal (pack of 2) <b>or</b> Seal (pack of 2), for normal phase applications	5063-6589 0905-1420
5*	Pump chamber housing	G1311-25200
6	Active inlet valve (complete with cartridge)	G1312-60010
	Replacement cartridge for active inlet valve	5062-8562
7	Outlet ball valve	G1311-60012
8*	Screw lock	5042-1303
9	Purge valve assembly	G1311-60009
10	Screw M5, 60 mm lg	0515-2118



**Figure 39** Pump Head Assembly